

# Sturm!

нас рекомендуют друзья

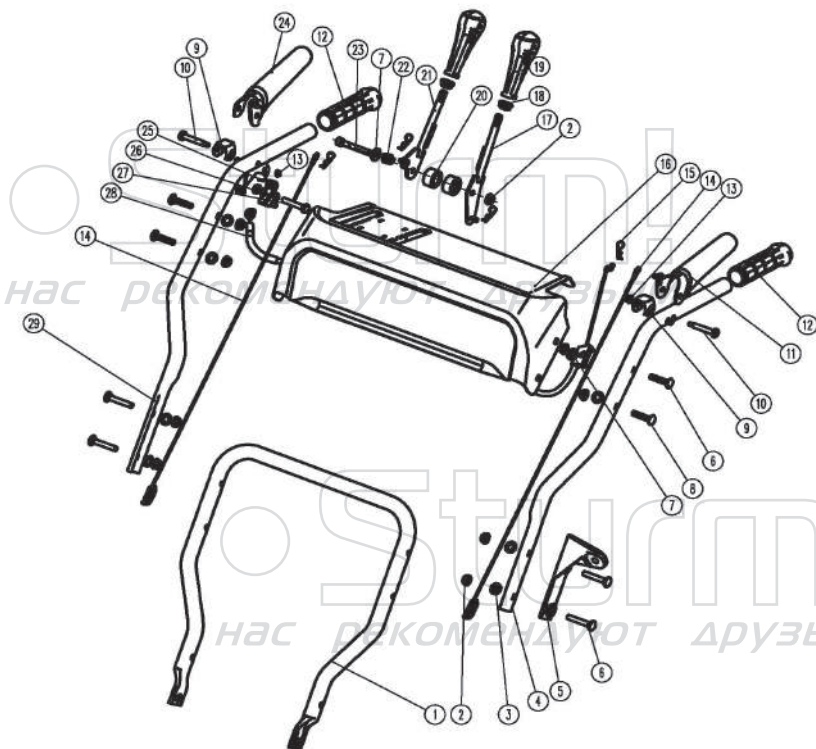
## STG7661

NO.	DESCRIPTION
1	cap 9
2	flat washer 10
3	washer for support
4	support for lower rod
5	nut M8
6	bolt M8x25
7	rotating rod
8	handle
9	B pin
10	flat washer
11	connect rod
12	bolt M10x25
13	bolt M10x45
14	deflector cable
15	screw M6x16
16	washer for belt cover
17	belt cover
18	deflector
19	snow shovel
20	bolt M8x16
21	gear plate
22	screw M6x16
23	nut M6
24	fixing plate for chute
25	bolt M8x20
26	belt rod
27	belt V10x705
28	screw M8x20

STG7661-ex-RU20210512

# Sturm!

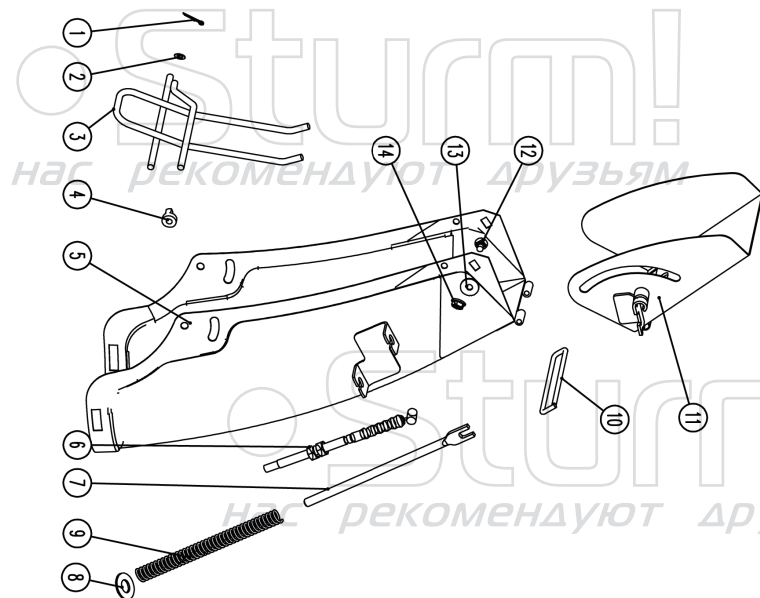
нас рекомендуют друзья



## STG7661

NO.	DESCRIPTION	NO.	DESCRIPTION
1	lower handle	6	panel
2	nut M8	17	handle
3	washer 8	18	nut M10
4	upper handle (left)	19	gear handle
5	support for upper rod	20	short sleeve
6	bolt M8x45	21	drive handle
7	washer 8	22	preset spring
8	bolt M8x40	23	screw M8x120
9	lever washer	24	right control lever
10	lever bolt	25	stopper spring
11	left control lever	26	stopper
12	handgrip	27	bolt C M6x35
13	nut M6	28	one hand control cable
14	long cable	29	upper handle (right)
15	B pin 1.5x25		

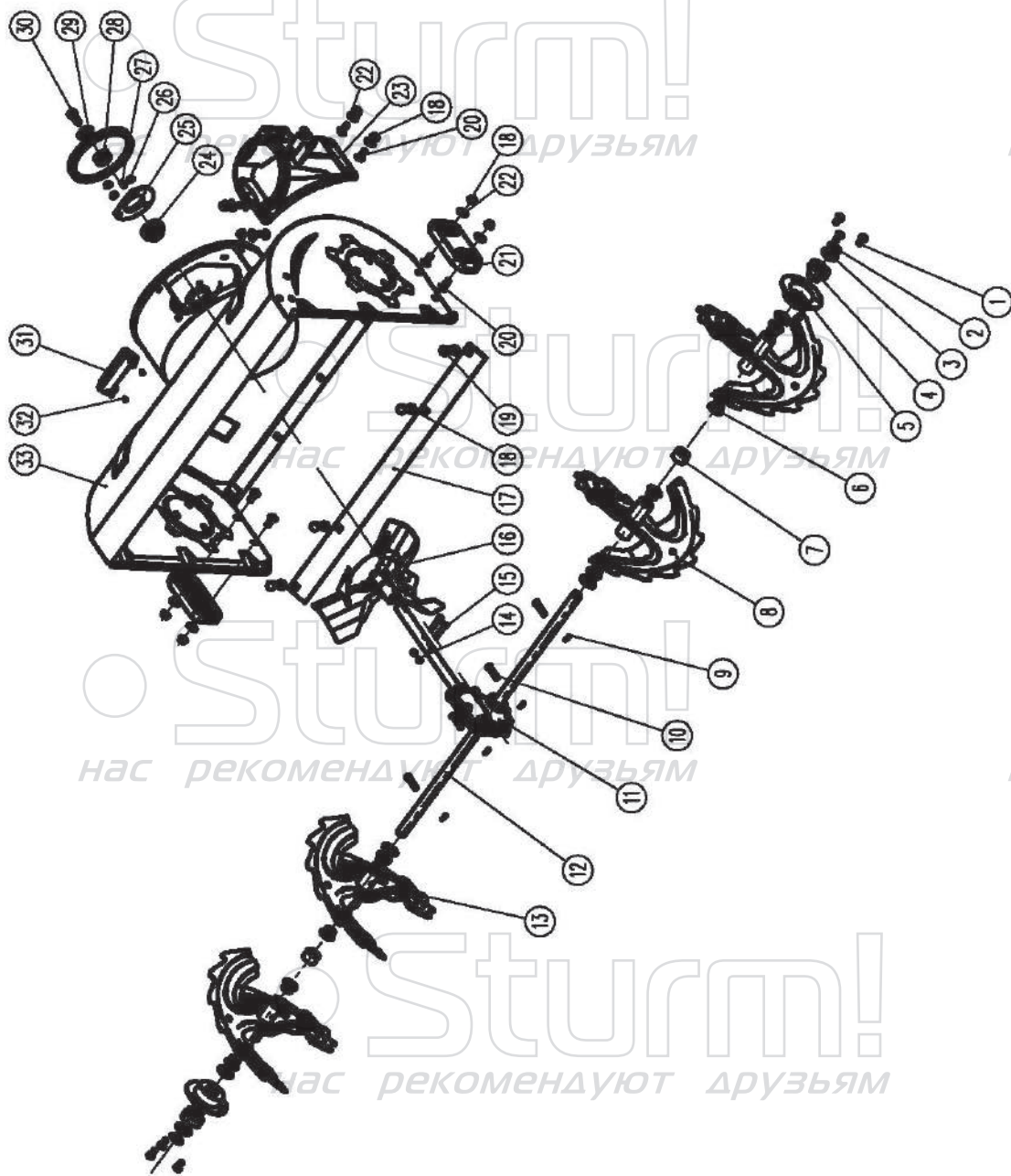
STG7661-ex-RU20210512



## STG7661

NO.	DESCRIPTION
1	cap
2	plastic washer
3	safety fence
4	washer for fence
5	chute welded
6	chute cable
7	support
8	big washer C8
9	spring for chute
10	hinge shaft
11	deflector
12	bolt M6x16
13	big washer C6
14	nut M6

STG7661-ex-RU20210512

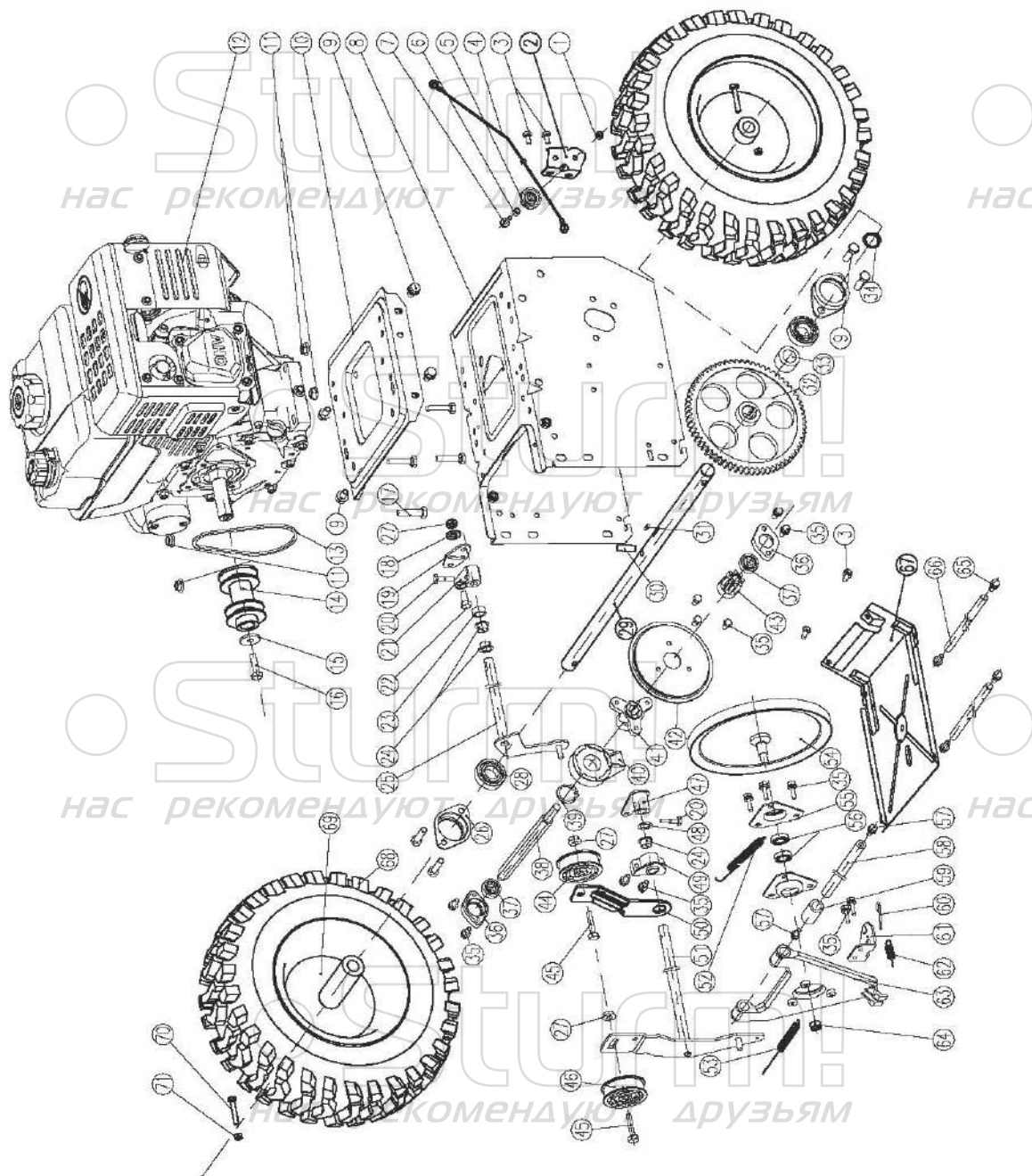


## STG7661

NO.	DESCRIPTION
1	bolt M8x16
2	circlip 19
3	washer 31x19.5x1.8
4	bearing
5	bearing cover
6	plastic circlip
7	plastic washer
8	left auger
9	B pin
10	safety bolt
11	gear box
12	output shaft
13	right auger
14	nut M6
15	bolt M6x35
16	fan
17	shave plate 24inch
18	nut M8
19	bolt M8x16
20	bolt M8x20
21	skid shoe
22	washer 8
23	chute seat
24	bearing SB204
25	round plate
26	nut M8
27	flat key A6x6x20
28	belt pulley
29	washer 10
30	bolt M10x25
31	shovel seat
32	screw ST4.2x9.5-F
33	housing 24inch

STG7661-ex-RU20210512



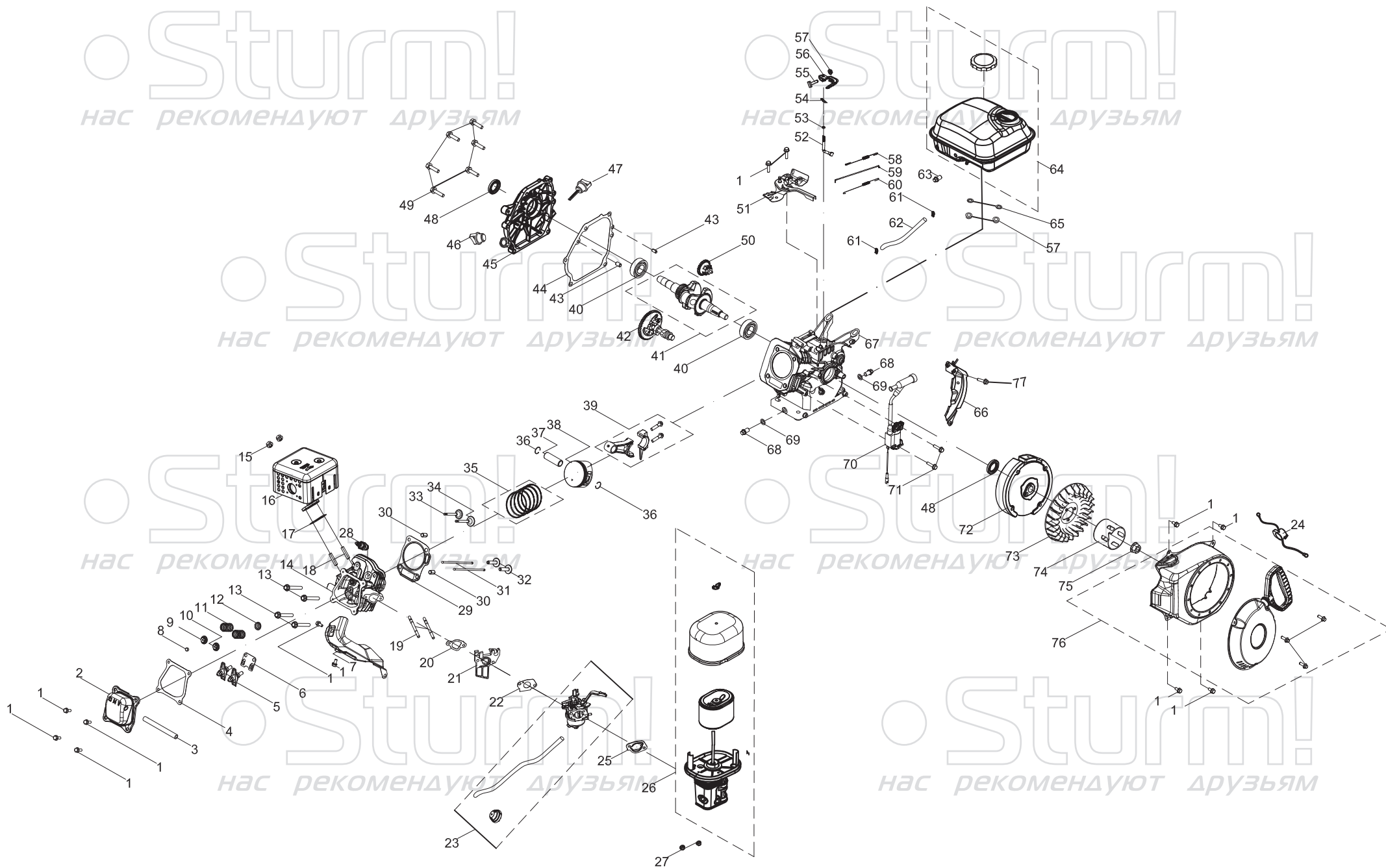


## STG7661

NO.	DESCRIPTION	NO.	DESCRIPTION
1	Nut M6	37	bearing 6000-ZN
2	pulley seat	38	hexagon axis
3	Screw M6x12	39	circlip 25
4	short cable	40	shift bearing
5	pulley	41	seat for rubber ring
6	shaft sleeve	42	rubber ring
7	bolt M6x20	43	gear
8	transmission case	44	small tension pulley
9	screw M8x16	45	bolt M8x30
10	engine seat	46	small tension pulley
11	nut M8	47	tension connector
12	engine	48	spring washer 12
13	belt 3LXP825	49	fix plate
14	drive pulley	50	small tension plate
15	big washer 8	51	big tension plate
16	bolt M8x1x30	52	spring
17	bolt M8x40	53	brake spring
18	flat washer 8	54	belt pulley
19	gear plate	55	bearing seat
20	bolt M6x20	56	bearing 6002
21	gear connector	57	bolt M8x16
22	bolt M8x20	58	support rod
23	washer	59	bushing
24	plastic shaft sleeve	60	B pin 1.5x25
25	fork lift	61	connecting plate
26	bearing seat	62	reset spring
27	nut M8	63	support plate for friction disc
28	bearing 6304	64	nut M12
29	shaft 13"	65	screw M6x16
30	pin 6x30	66	support rod
31	flat key 6x6x22	67	bottom plate for transmission case
32	big gear	68	tyre 13x4.1-6
33	shaft sleeve	69	rim
34	circlip 20	70	bolt M6x40
35	bolt M6x16	71	nut M6
36	inner bearing seat		

STG7661-ex-RU20210512

# engine for STG7453, STG7461, STG7661



## engine for STG7453, STG7461, STG7661

NO.	DESCRIPTION	NO.	DESCRIPTION
1	Bolt, M6×12	40	Bearing, 6205
2	Valve Cover	41	Crankshaft
3	Breather Hose	42	Camshaft
4	Gasket, Valve Cover	43	Pin, φ8×14
5	Rocker Arm Assembly	44	Gasket, Crankcase
6	Rocker Arm Base	45	Crankcase Cover
7	Shroud	46	Oil Plug
8	Valve Adjust Cap, Exhaust	47	Dipstick
9	Valve Spring Seat	48	Oil Seal, φ25×φ41.25×6
10	Valve Spring Seat	49	Bolt, M8×32
11	Valve Spring	50	Governor Gear
12	Intake Valve Seal	51	Governor Gear Bracket Assembly
13	Bolt, M8×60	52	Governor Gear Shaft
14	Cylinder Head	53	O-Ring, φ5.2×1.9
15	Nut, M8	54	Cotter Pin
16	Muffler	55	Bolt, M6×21
17	Gasket, Muffler	56	Governor Lever
18	Stud, M8×34	57	Nut, M6
19	Stud, M6×108	58	Governor Spring
20	Gasket, Carburetor Insulator	59	Throttle Linkage
21	Insulator	60	Idle Spring
22	Gasket, Carburetor	61	Clamp
23	Carburetor	62	Fuel Hose
24	Stop Switch	63	Bolt, M6×28
25	Gasket, Carburetor	64	Fuel Tank
26	Air Filter Assembly	65	Washer, φ6×φ18×1.5
27	Nut, M6	66	Lower Shield
28	Spark Plug	67	Crankcase
29	Gasket, Cylinder Head	68	Drain Bolt M10×15
30	Pin, φ10×16	69	Washer, φ10×2×φ16
31	Push Rod	70	Ignition Module
32	Tappet	71	Bolt, M6×25
33	Exhaust Valve	72	Flywheel
34	Intake Valve	73	Cooling Fan
35	Piston Ring Set	74	Starter Cup
36	Circlip	75	Nut, M14×1,5
37	Piston Pin	76	Recoil Starter
38	Piston	77	Bolt, M6×20
39	Connecting Rod Assembly		